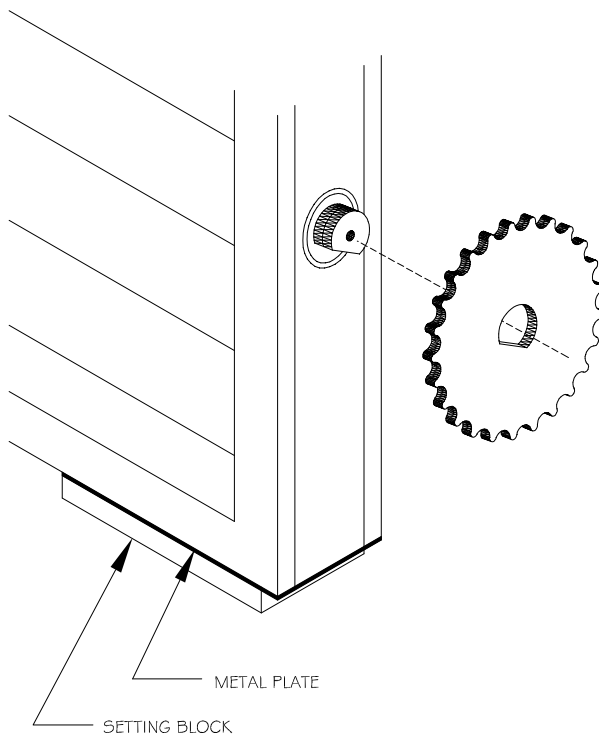


INSTALLATION INSTRUCTIONS

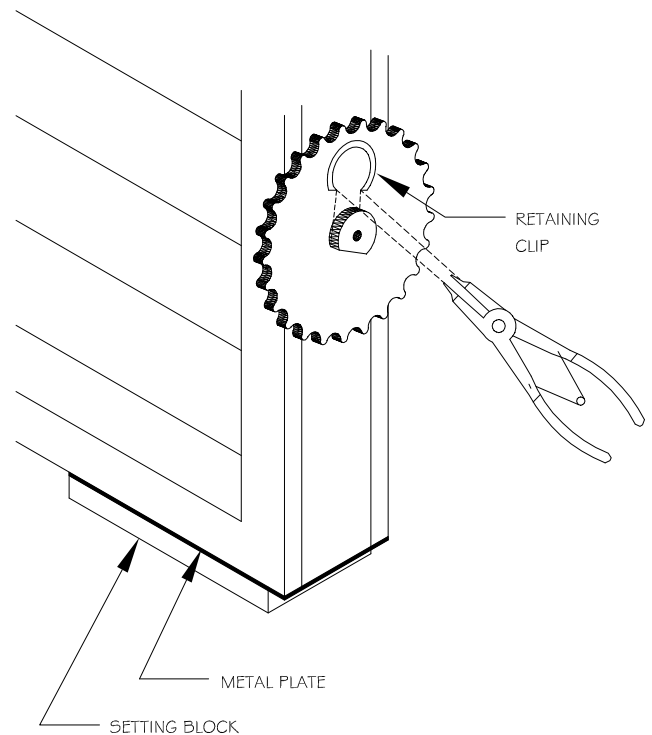
IMPORTANT NOTE:

This operation must be performed before installing the glass units in their respective openings.

STEP 1



STEP 2



ADDITIONAL INSTRUCTIONS:

Install setting blocks under the metal plates glued to each unit. Make sure they are sufficiently rigid to secure the glass panels into their permanent position. The units must be level, plumb, square and in plane. Install the glass stops, which should have been notched at predetermined locations according to approved shop drawings, to accommodate thumbwheel operator.