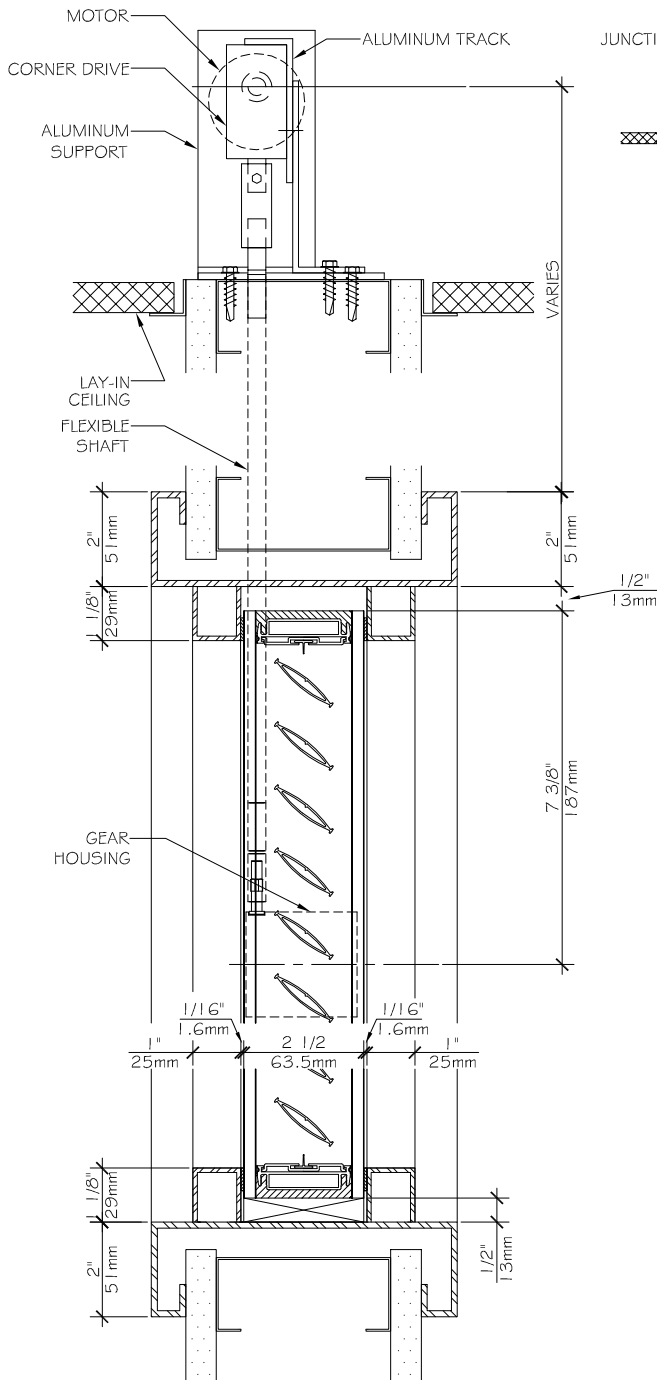
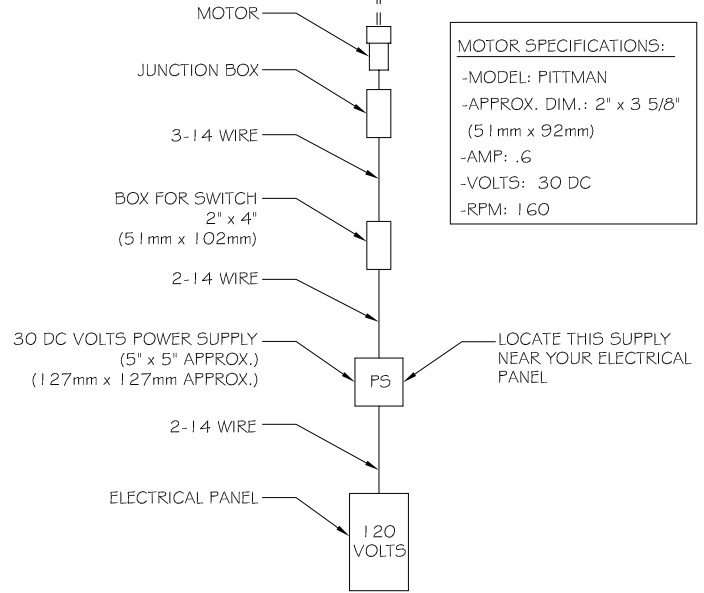
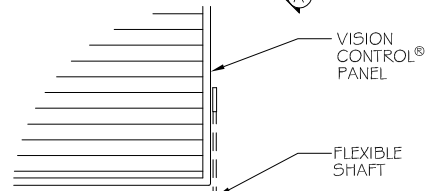
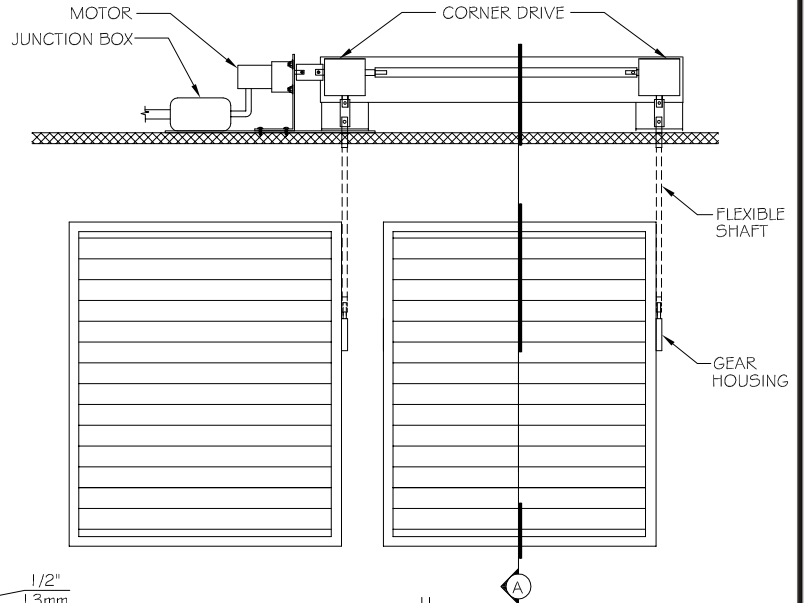


LOW-VOLTAGE ELECTRICAL MOTOR



(A) DETAIL INTERIOR WALL



MOTOR SPECIFICATIONS:
-MODEL: PITTMAN
-APPROX. DIM.: 2" x 3 5/8" (51mm x 92mm)
-AMP: .6
-VOLTS: 30 DC
-RPM: 160

ELECTRICAL DIAGRAM