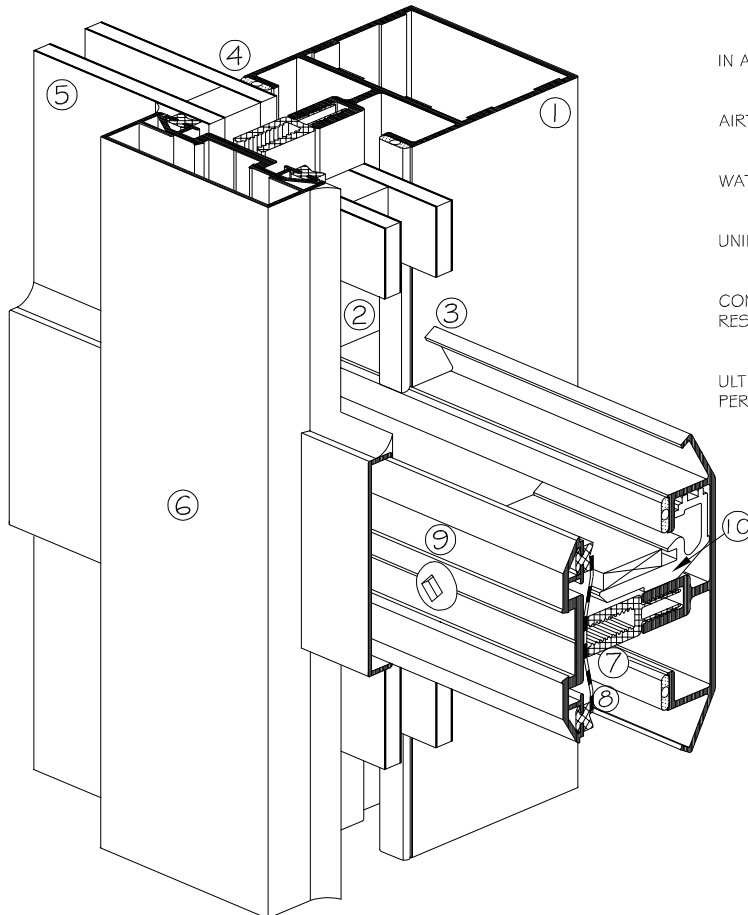


- ① ALUMINUM PROFILES WITH CONCEALED FASTENERS (NO VISIBLE SCREW OR BOLT)
- ② RAIN-SCREEN SYSTEM PROVIDING PROPER DRAINAGE AND VENTILATION
- ③ PROFILE-INTEGRATED GUTTER FOR INTERNAL CONDENSATION
- ④ POLYSHIM SEALING JOINT PROVIDING A HERMETIC SHIELD AGAINST AIR AND VAPOR INFILTRATION
- ⑤ POSSIBILITIES OF SINGLE, DOUBLE, TRIPLE OR VISION CONTROL<sup>®</sup> GLAZING (1/8" to 3" - 3mm to 76mm)
- ⑥ PRESSURE PLATES AND COVERS OF VARIOUS SHAPES FOR DIVERSE COMBINATIONS
- ⑦ THERMAL BREAK BETWEEN INTERIOR AND EXTERIOR PROFILES PROVIDED BY PVC BARRIERS
- ⑧ CONTINUOUS BUTYL MEMBRANE
- ⑨ STAINLESS STEEL SCREWS CONCEALED UNDER ALUMINUM COVERS
- ⑩ ALUMINUM GLAZING BRACKET



IN ACCORDANCE WITH THE FOLLOWING STANDARDS:

AIRTIGHTNESS:	ASTM E283
WATERTIGHTNESS:	ASTM E33 I AAMA 501
UNIFORM LOAD:	ASTM E330
CONDENSATION RESISTANCE:	CAN/CSA-A440-00
ULTIMATE STRUCTURAL PERFORMANCE:	ASTM E330