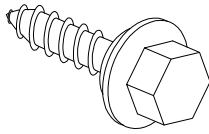




Manufacturer of products
**VISION[®]
CONTROL**

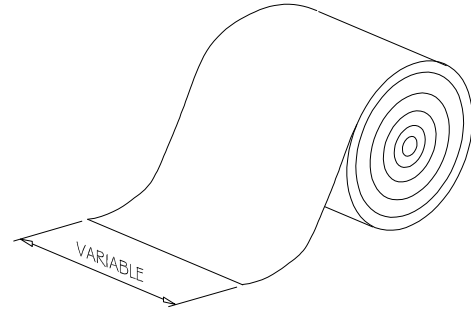
OTHER ACCESSORIES

SELF-TAPPING ZINC-PLATED METAL SCREW WITH
NEOPRENE GASKET # 14 x 1" (25mm)
(FOR STRUCTURAL ASSEMBLY)



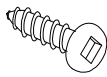
20632

MEMBRANE
(APPLIES TO PAGES SK 3.6 TO SK 3.10)



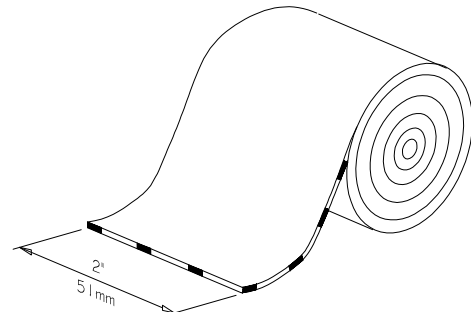
24065

STAINLESS STEEL PAN HEAD METAL SCREW
8 x 3/4" (19mm)
(FOR BRACKET MULLION)



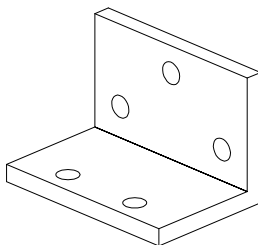
53060

CONTINUOUS MEMBRANE MADE OF FILM
COATED ELASTIC BUTYL
(APPLIES TO PAGES SK 3.1 TO SK 3.10)



25040

ALUMINUM BRACKET



21580

Unicel Architectural

T: 1.450.670.6844 • 800.668.1580
F: 1.450.670.7144 • 866.496.2628

2155 Fernand Lafontaine Blvd.
Longueuil, Québec
J4G 2J4 - Canada
www.unicelarchitectural.com

REVISION
09-2008

AP 1.4