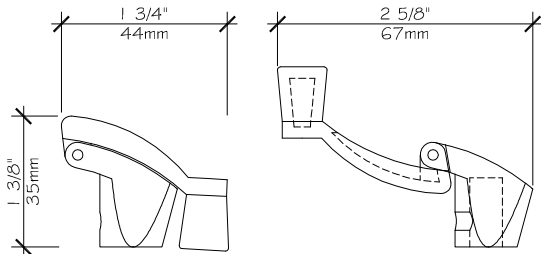
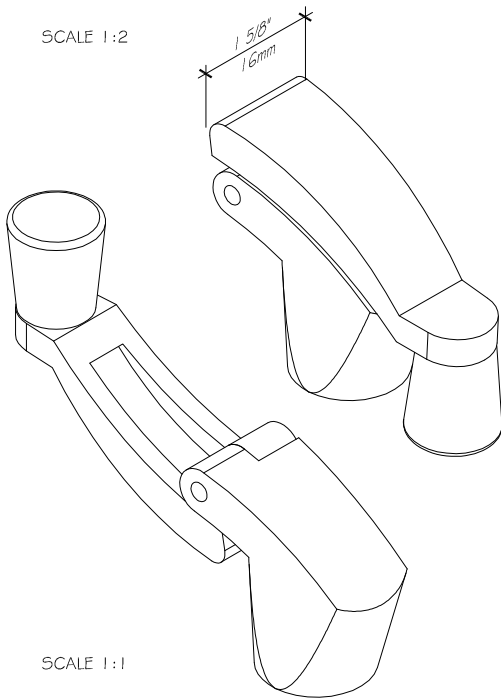


**ZINC CRANK HANDLE**

AVAILABLE IN WHITE OR GRAY

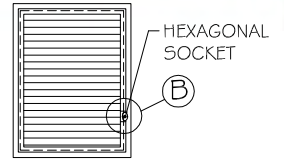


SCALE 1:2

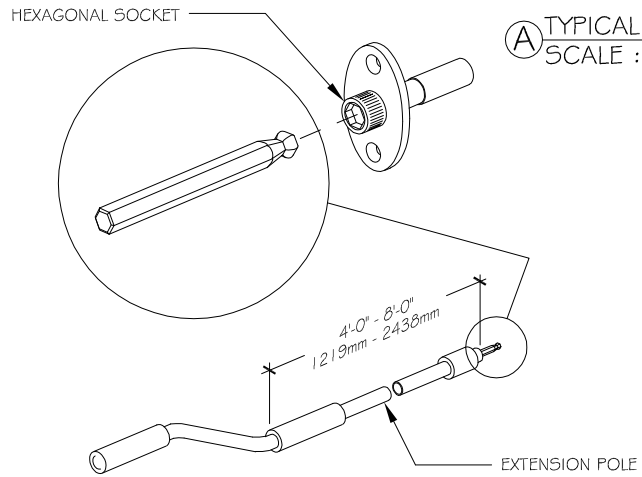


SCALE 1:1

**EXTENSION POLE**

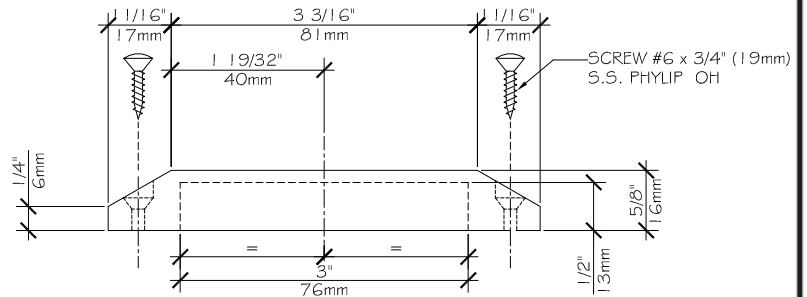


A TYPICAL VIEW  
SCALE : N. T. S.



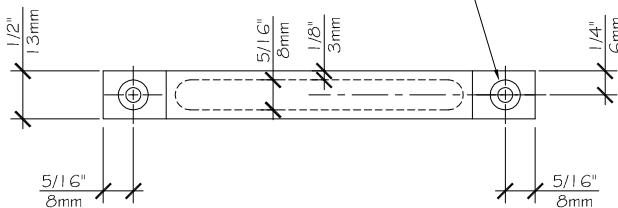
B DETAIL  
SCALE : N. T. S.

**THUMBWHEEL COVER**



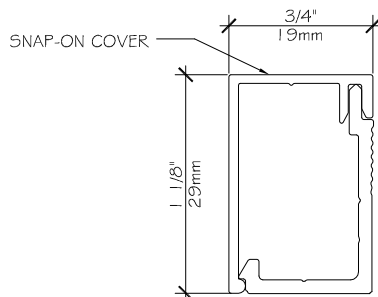
C ELEVATION  
SCALE : 1:2

HOLE(2) 9/64" (3.57mm) Ø COUNTERSUNK (H5 #4)  
(SCREW #6 x 3/4" (19mm) S.S. PHYLIP (OH)



D PLAN VIEW  
SCALE : 1:2

**GLASS STOP**



E DETAIL  
SCALE : 1:1