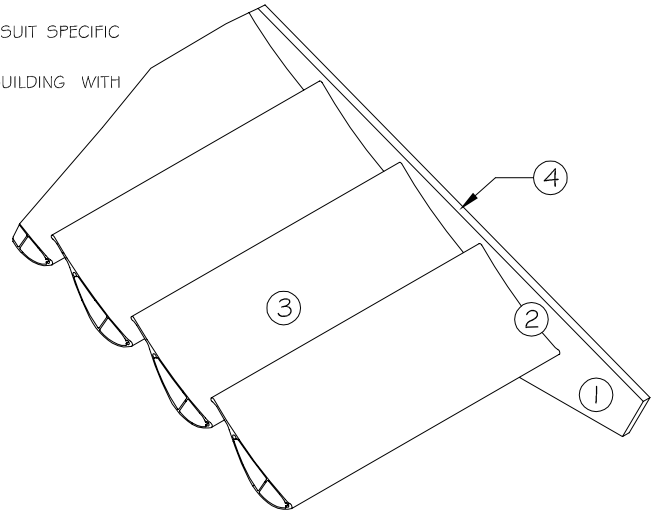


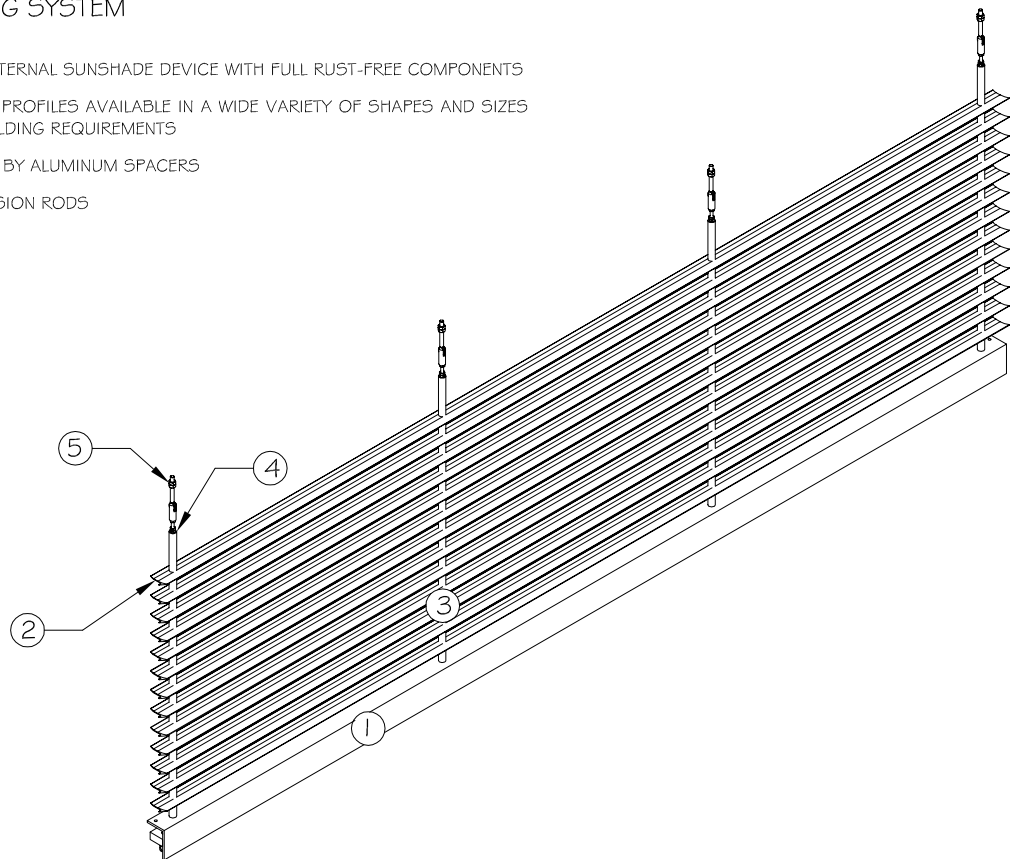
HORIZONTAL SHADING SYSTEM

- ① FIXED EXTERNAL SUNSHADE DEVICE WITH FULL RUST-FREE COMPONENTS
- ② LOUVERS AND SUPPORT MECHANISMS MADE OF EXTRUDED ALUMINUM.
- ③ PROFILES AVAILABLE IN A WIDE VARIETY OF SHAPES AND SIZES TO SUIT SPECIFIC BUILDING REQUIREMENTS. POSSIBILITIES FOR CURVED STRUCTURES
- ④ FRAME-MOUNTED LOUVERS FIXED ON THE EXTERIOR OF THE BUILDING WITH SUPPORTING ARMS OR OUTRIGGERS



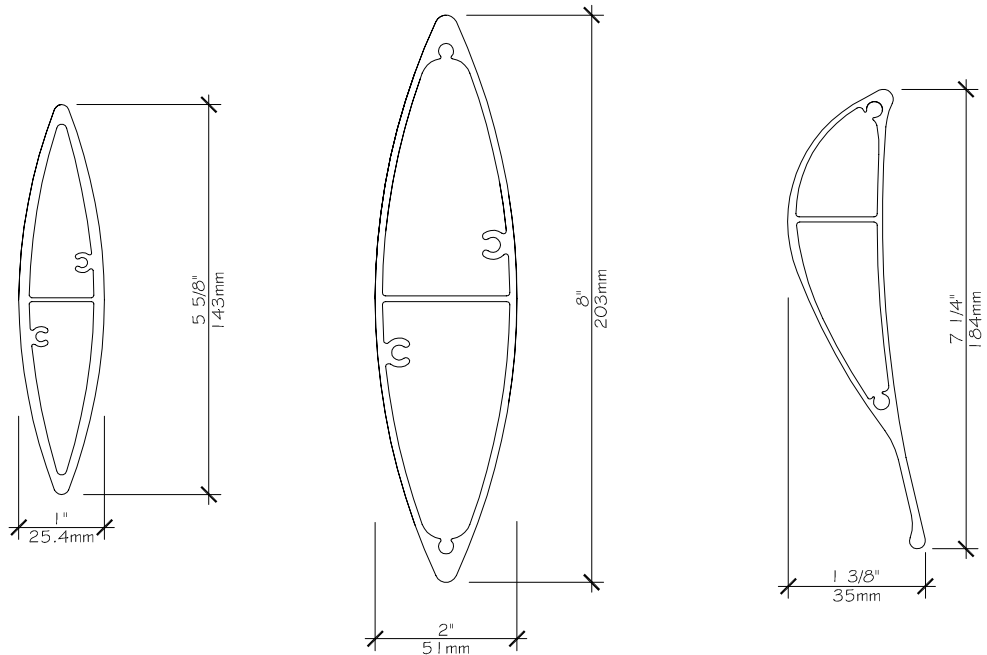
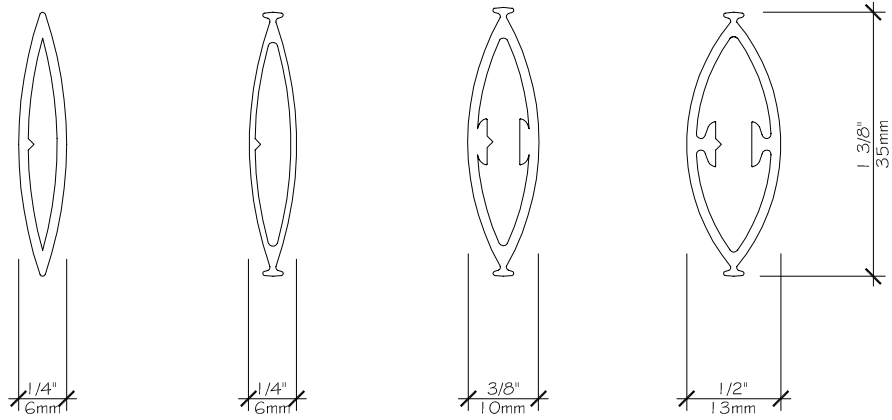
VERTICAL SHADING SYSTEM

- ① FIXED EXTERNAL OR INTERNAL SUNSHADE DEVICE WITH FULL RUST-FREE COMPONENTS
- ② EXTRUDED ALUMINUM PROFILES AVAILABLE IN A WIDE VARIETY OF SHAPES AND SIZES TO SUIT SPECIFIC BUILDING REQUIREMENTS
- ③ LOUVERS SUPPORTED BY ALUMINUM SPACERS
- ④ STAINLESS STEEL TENSION RODS
- ⑤ KNURLED LOCK-NUTS



-AVAILABLE IN ANODIZED AND PAINTED FINISHES

TYPES OF LOUVERS

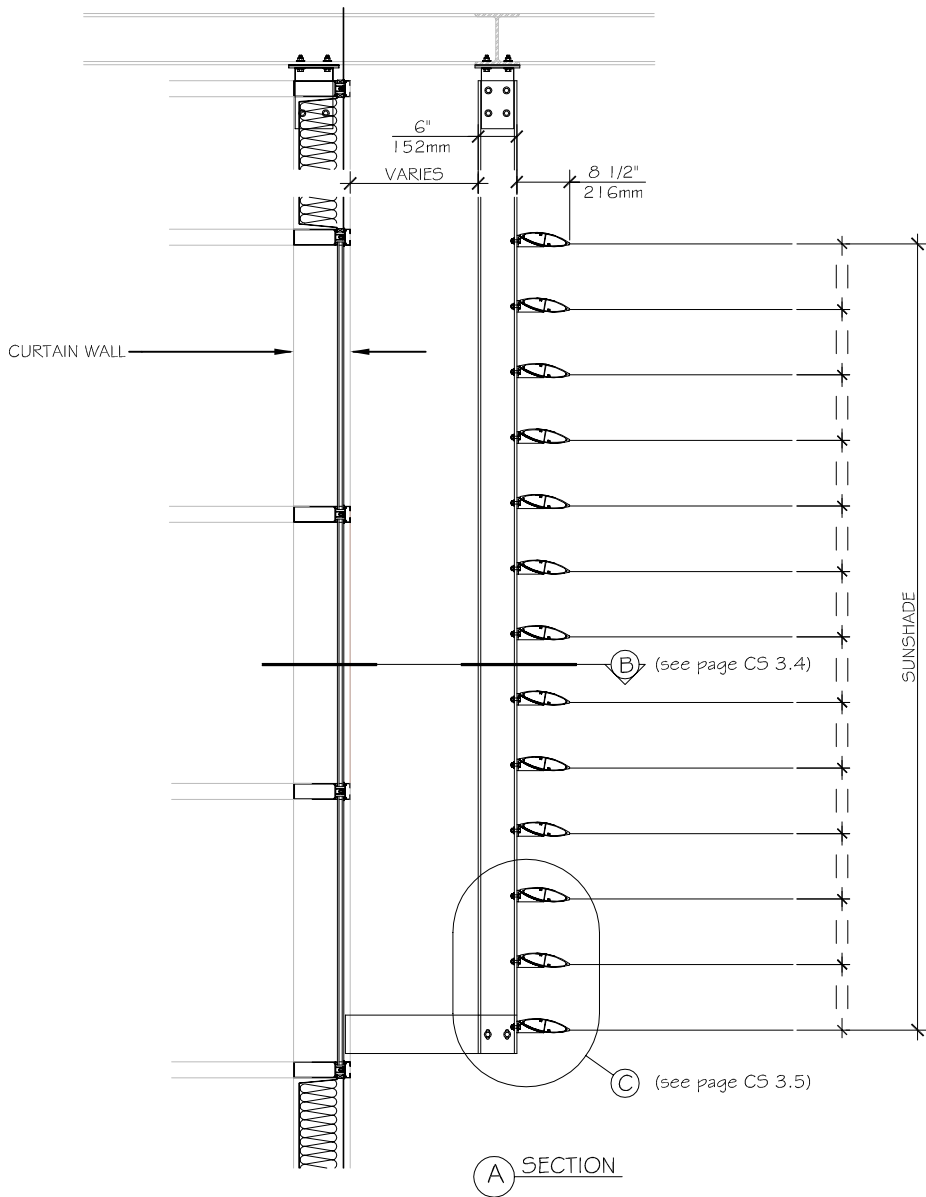
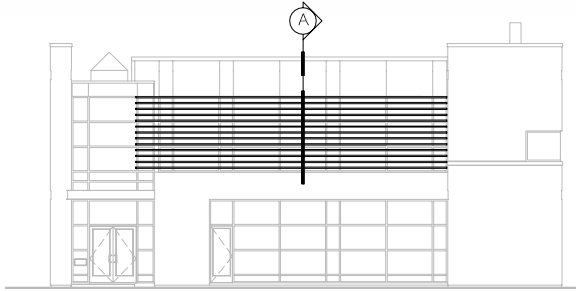


SUNSCREENS ARE AVAILABLE WITH DIFFERENT TYPES OF LOUVERS FIXED AT ANY PREDETERMINED ANGLE



Manufacturer of products
VISION CONTROL

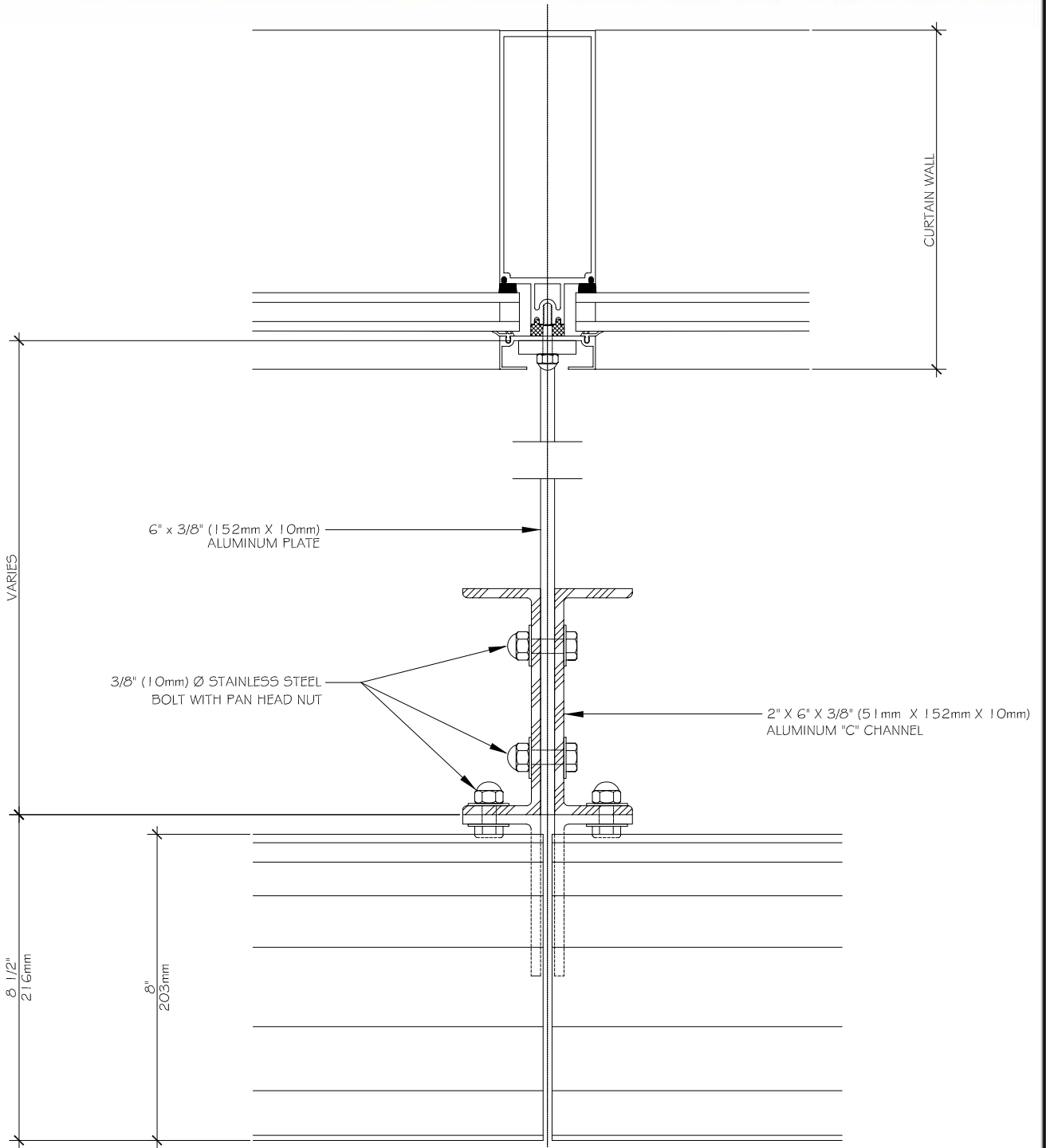
SECTION



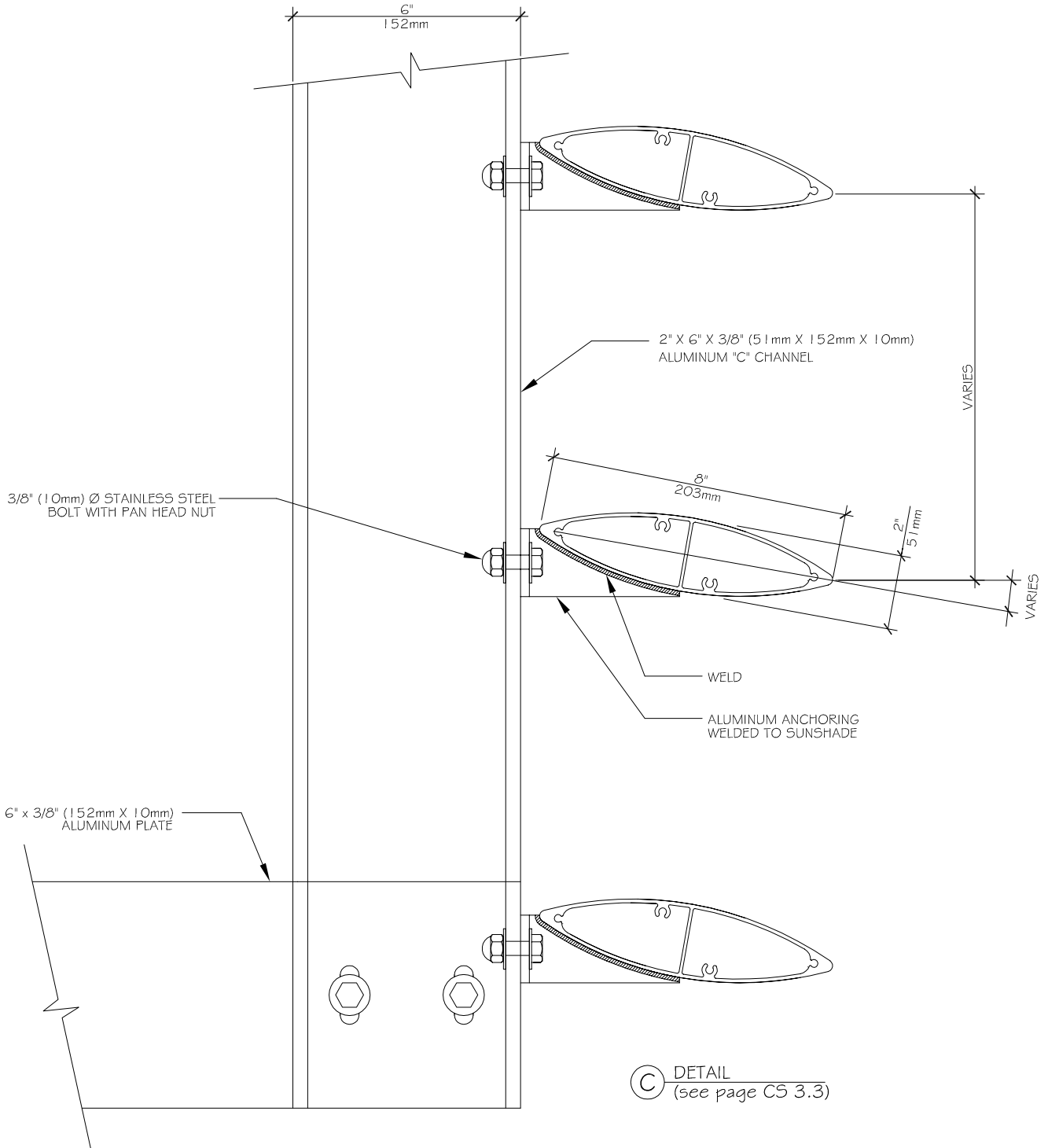


Manufacturer of products
VISION[®]
CONTROL

PLAN VIEW



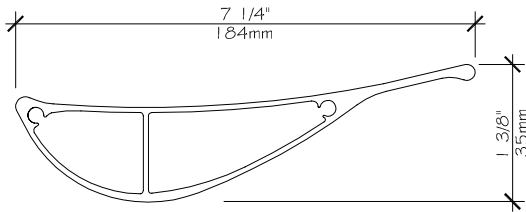
(B) DETAIL
(see page cs 3.3)



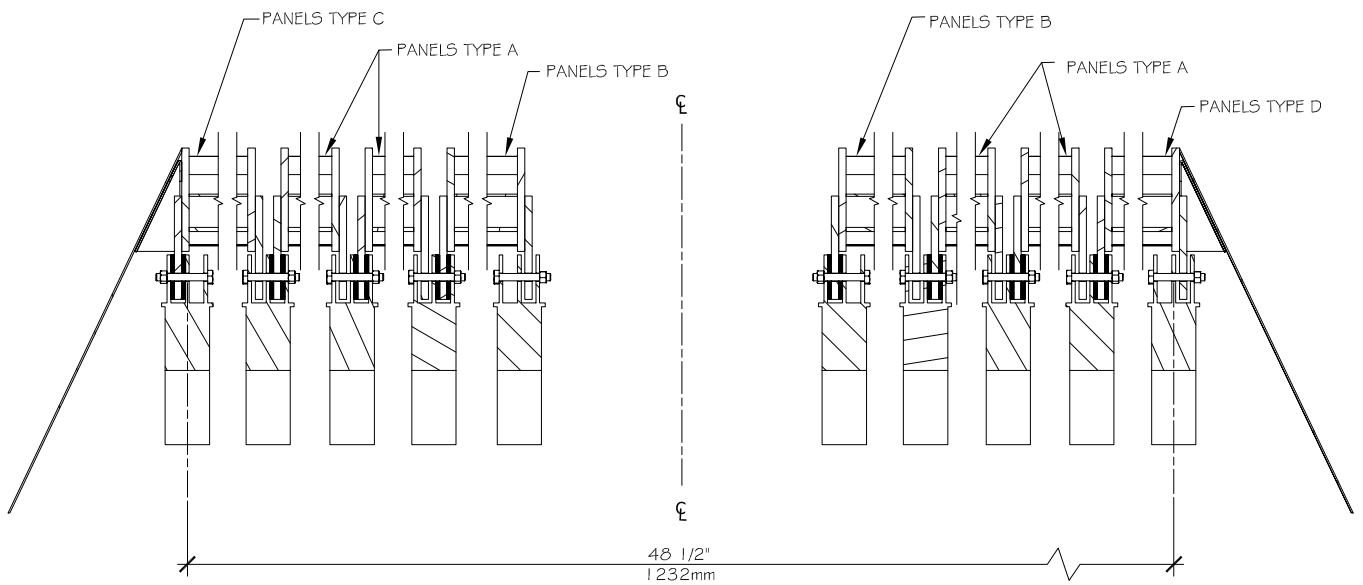
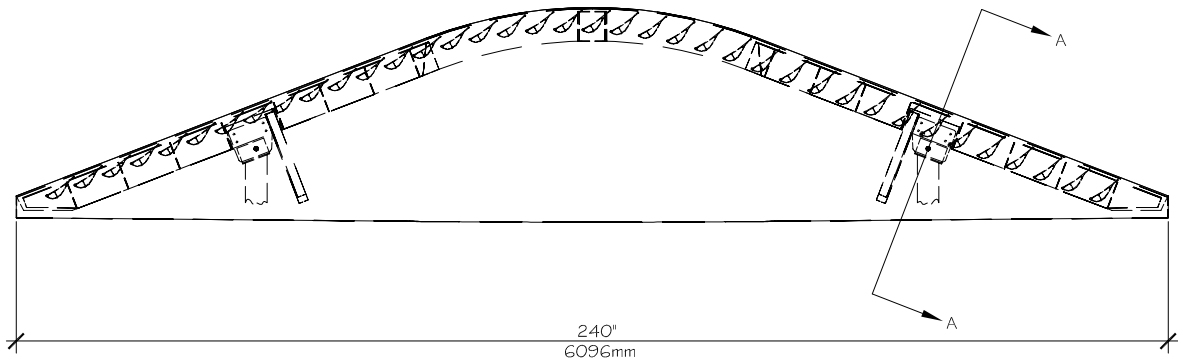
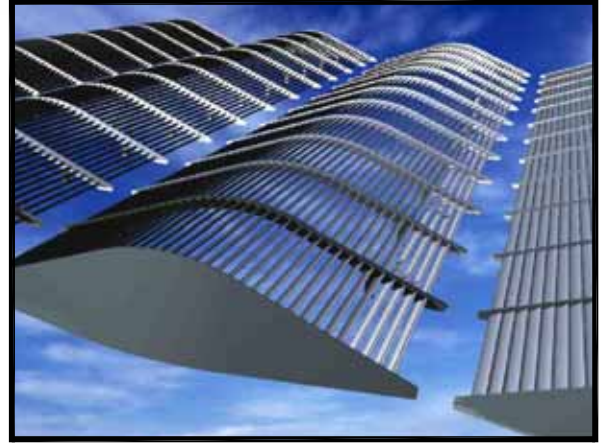


Manufacturer of products
VISION CONTROL

SLOPED APPLICATION



LOUVER DETAIL



SECTION A-A

Unicel Architectural

T: 1.450.670.6844 • 800.668.1580
F: 1.450.670.7144 • 866.496.2628

2155 Fernand Lafontaine Blvd.
Longueuil, Québec
J4G 2J4 Canada
www.unicelarchitectural.com

REVISION
09-2008

CS 3.6



Manufacturer of products
VISION CONTROL

OPERABLE SHADING PANEL

