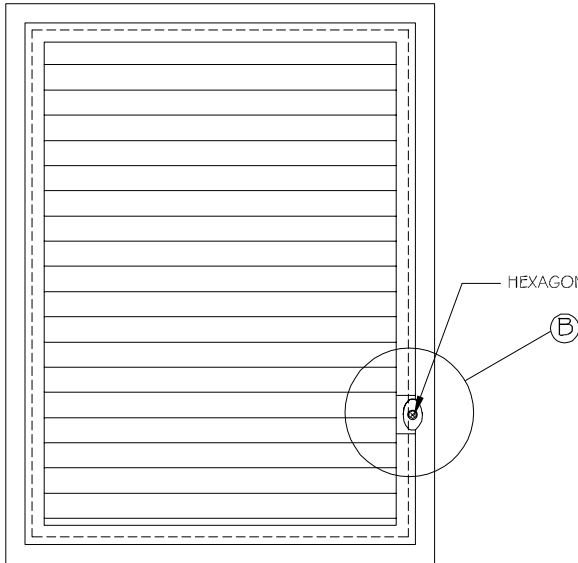
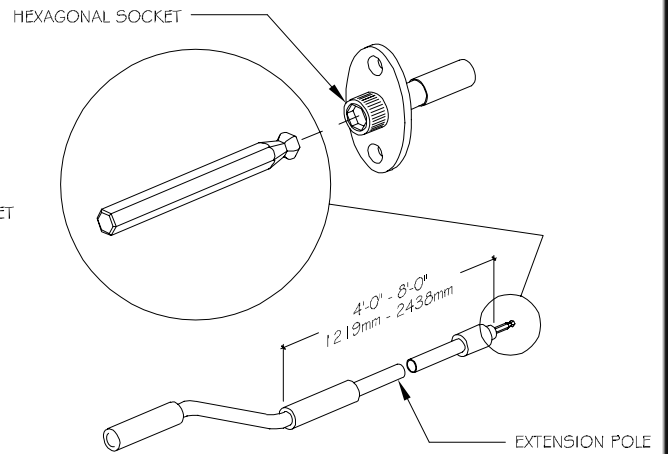


EXTENSION POLE

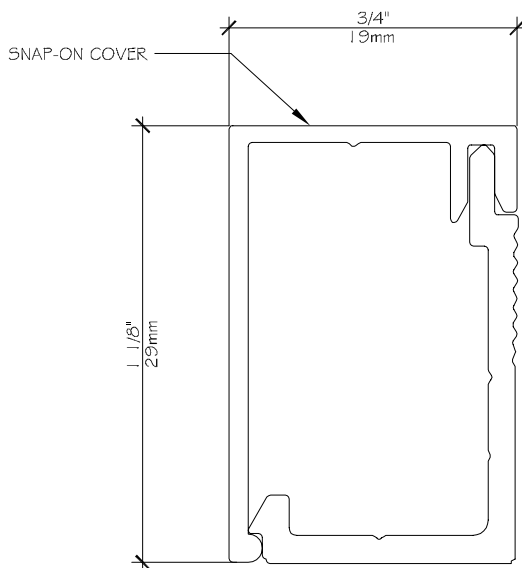


Ⓐ TYPICAL VIEW  
SCALE : N. T. S.



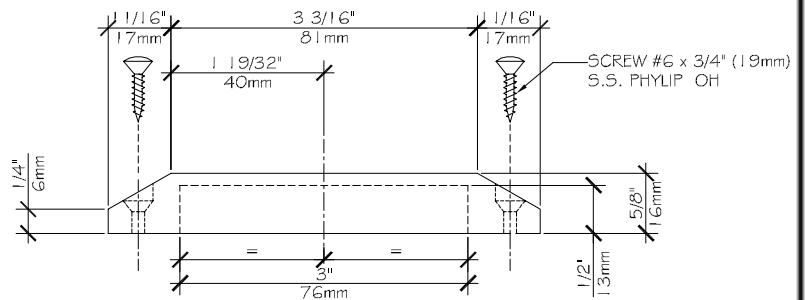
Ⓑ DETAIL  
SCALE : N. T. S.

GLASS STOP



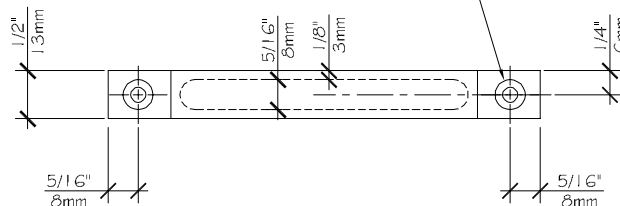
Ⓒ GLASS STOPS DETAIL  
SCALE : 2:1

THUMBWHEEL COVER



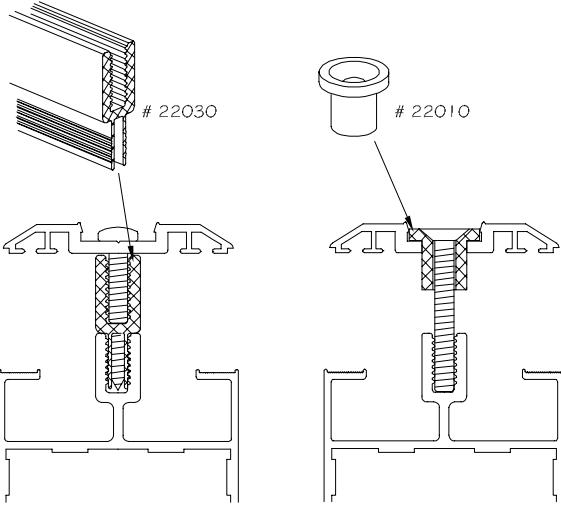
Ⓓ ELEVATION  
SCALE : 1:2

HOLE(2) 9/64" (3.57mm)Ø COUNTERSINK (H5 #4)  
(SCREW #6 x 3/4" (19mm) S.S. PHYLIP (OH)



Ⓔ PLAN VIEW  
SCALE : 1:2

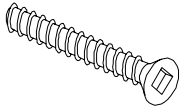
# ACCESSORIES FOR SKYLIGHTS



CONTINUOUS THERMAL BREAK

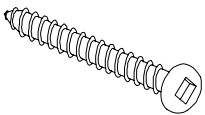
PUNCTUAL THERMAL BREAK

FLAT HEAD SOCKET MACHINE SCREW FOR PRESSURE PLATE (FOR # 22010)



No.	TYPE
# 23020	1/4"-20 UNC x 1 1/2" (13mm) LG
# 23021	1/4"-20 UNC x 2" (51mm) LG
# 23022	1/4"-20 UNC x 3" (76mm) LG

PAN HEAD SOCKET METAL SCREW FOR PRESSURE PLATE (FOR # 22030)



No.	TYPE
# 25020	12 x 1 1/2" (13mm) LG

# 24030



7/32" x 1/2" x 3/16"  
6mm x 13mm x 5mm

POLYSHIM TAPE

# 24040



5/32" x 1/2" x 1/8"  
4mm x 13mm x 3mm

POLYSHIM TAPE

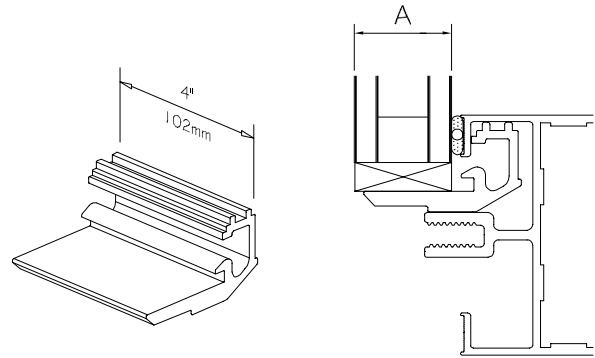
# 24050



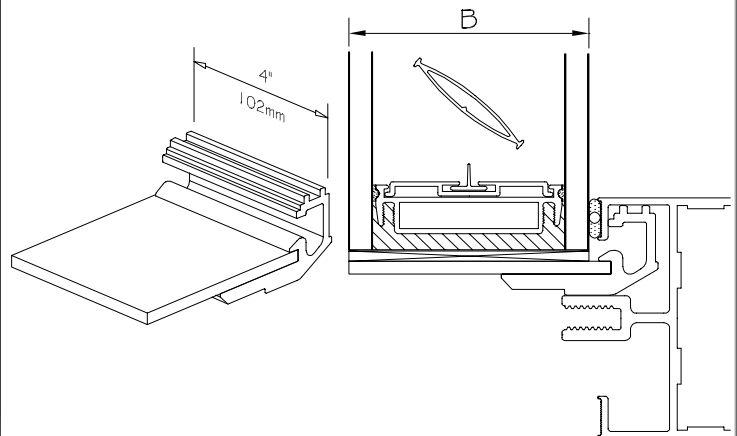
1/16" x 1/2"  
2mm x 13mm

GLAZING TAPE

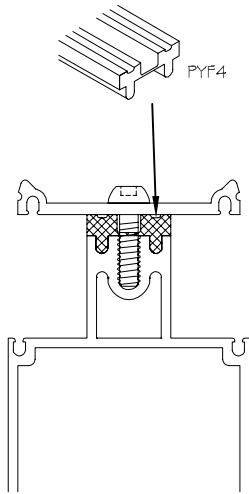
## GLAZING SUPPORT



No.	A	GLAZING
# 21300	1" 25.4 mm	DOUBLE
# 21310	1 5/8" 41 mm	TRIPLE

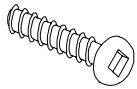


No.	B	GLAZING
# 21320	2 1/2" 63.5mm	VISION CONTROL®



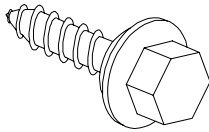
CONTINUOUS  
THERMAL BREAK

PAN HEAD SOCKET METAL SCREW FOR PRESSURE PLATE (FOR # 22030)



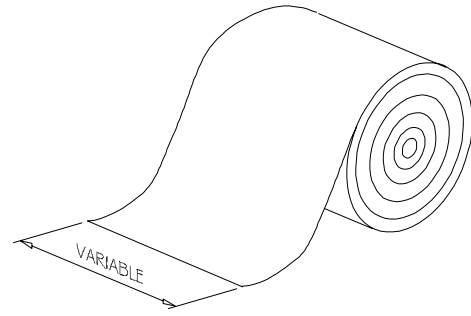
No.	TYPE
# 23019	1/4" - 20 UNC x 5/8" (16mm) LG

SELF-TAPPING ZINC-PLATED METAL SCREW WITH  
NEOPRENE GASKET # 1 4 x 1" (25mm)  
(FOR STRUCTURAL ASSEMBLY)



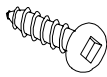
# 20632

MEMBRANE  
(APPLIES TO PAGES SK 3.6 TO SK 3.10)



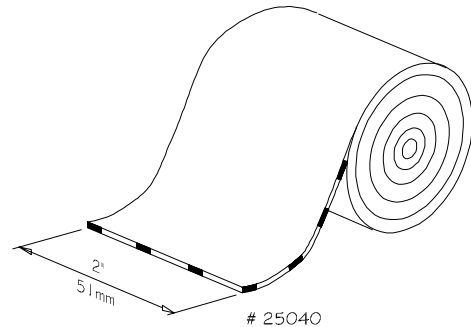
# 24065

STAINLESS STEEL PAN HEAD METAL SCREW  
# 8 x 3/4" (19mm)  
(FOR BRACKET MULLION)



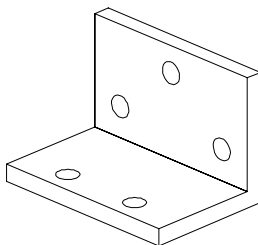
# 53060

CONTINUOUS MEMBRANE MADE OF FILM  
COATED ELASTIC BUTYL  
(APPLIES TO PAGES SK 3.1 TO SK 3.10)



# 25040

ALUMINUM BRACKET



# 21580



Manufacturer of products  
**VISION<sup>®</sup>  
CONTROL**

## SPECIFICATIONS

Product specifications are available for download in the tools section of our website at:

[www.unicelarchitectural.com](http://www.unicelarchitectural.com)

**Unicel Architectural**

T: 1.450.670.6844 • 800.668.1580  
F: 1.450.670.7144 • 866.496.2628

2155 Fernand Lafontaine Blvd.  
Longueuil, Québec  
J4G 2J4 Canada  
[www.unicelarchitectural.com](http://www.unicelarchitectural.com)

REVISION  
09-2008

AP 2.1